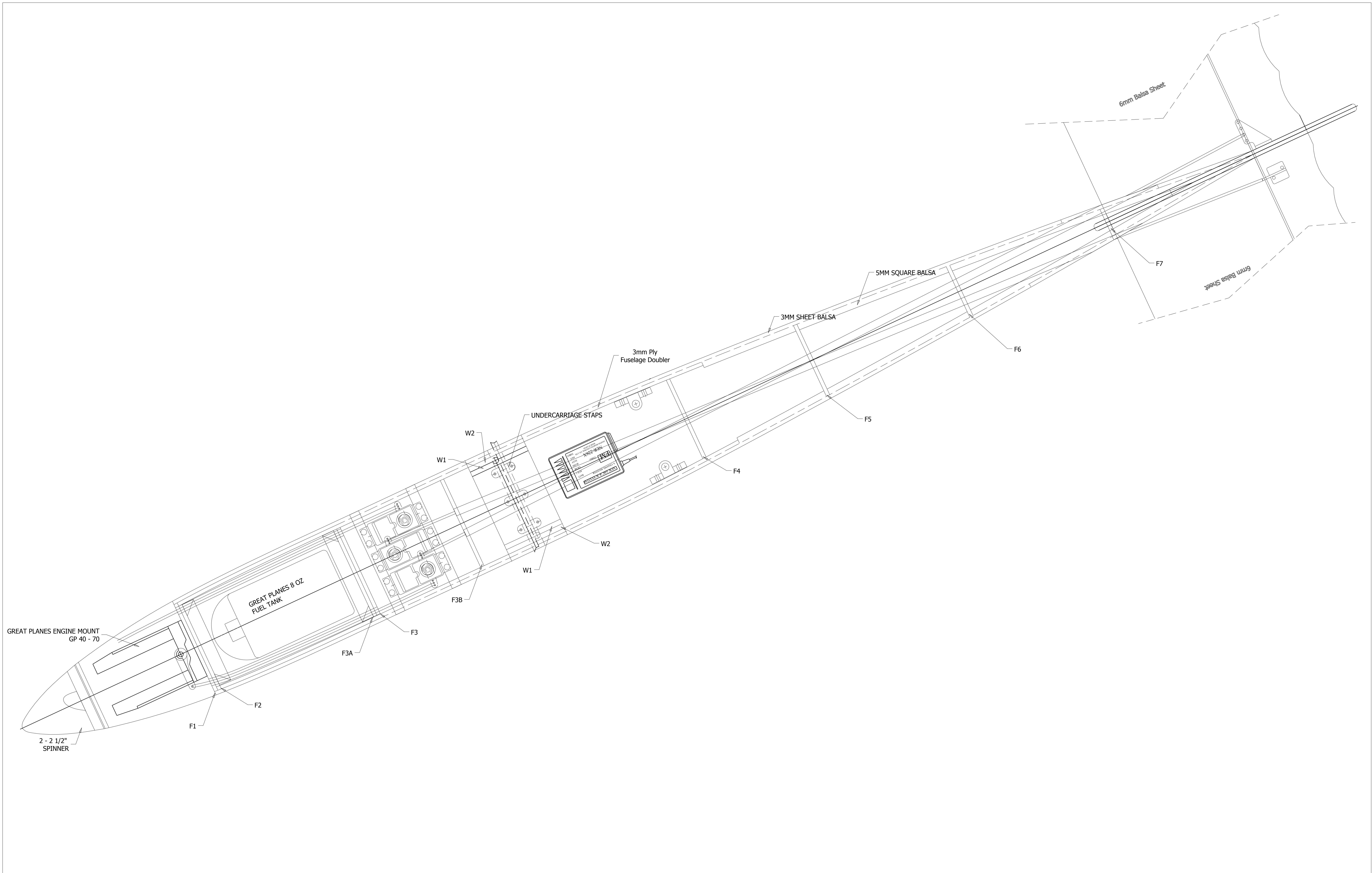
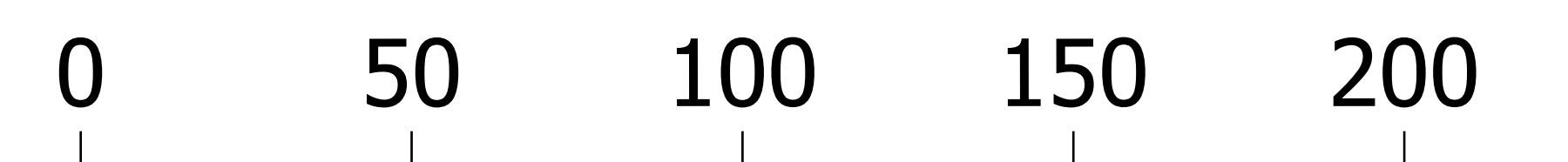
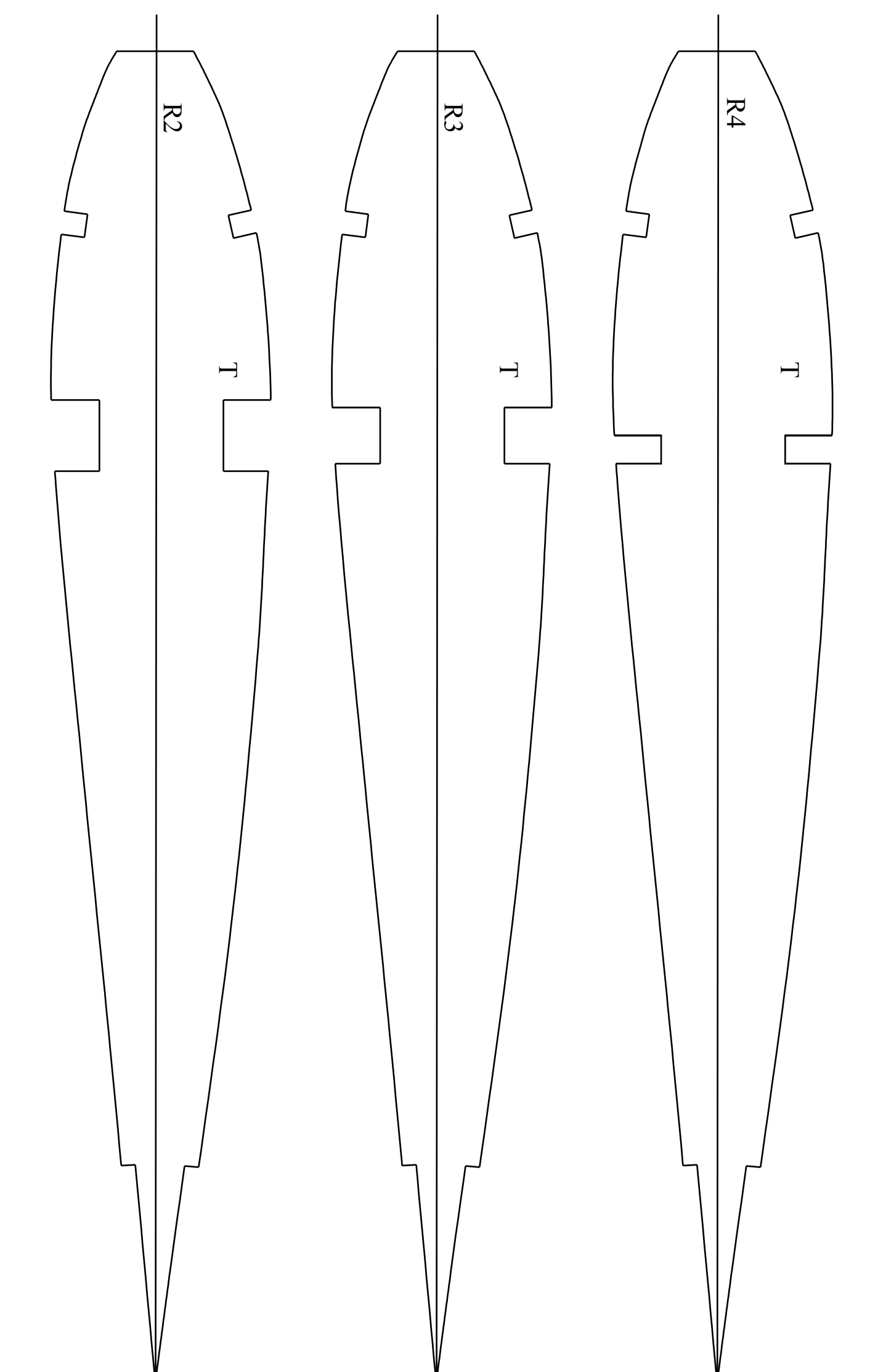
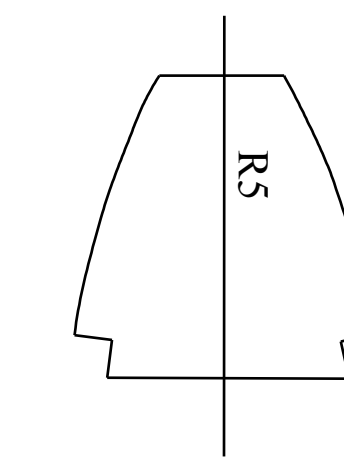
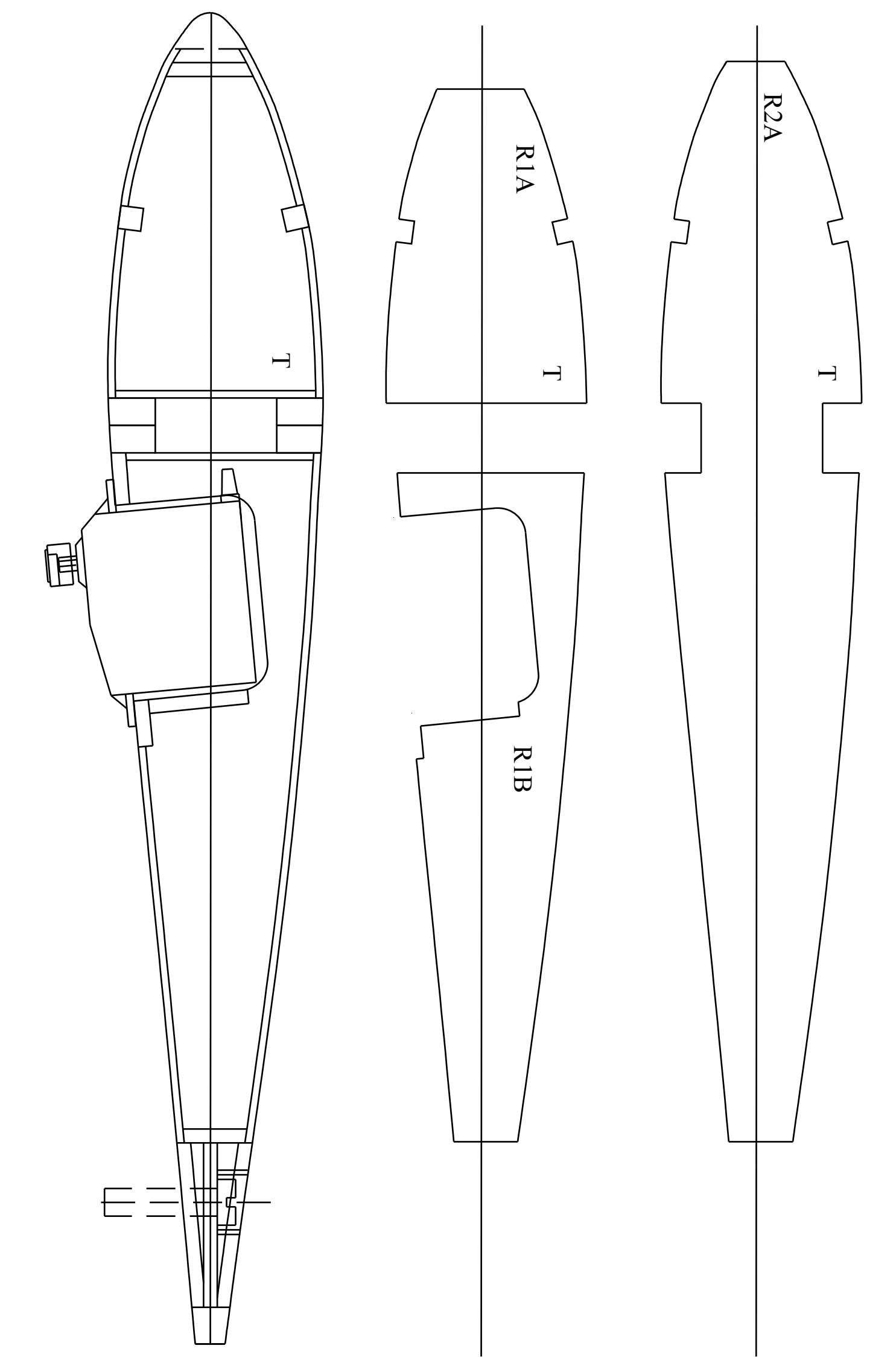
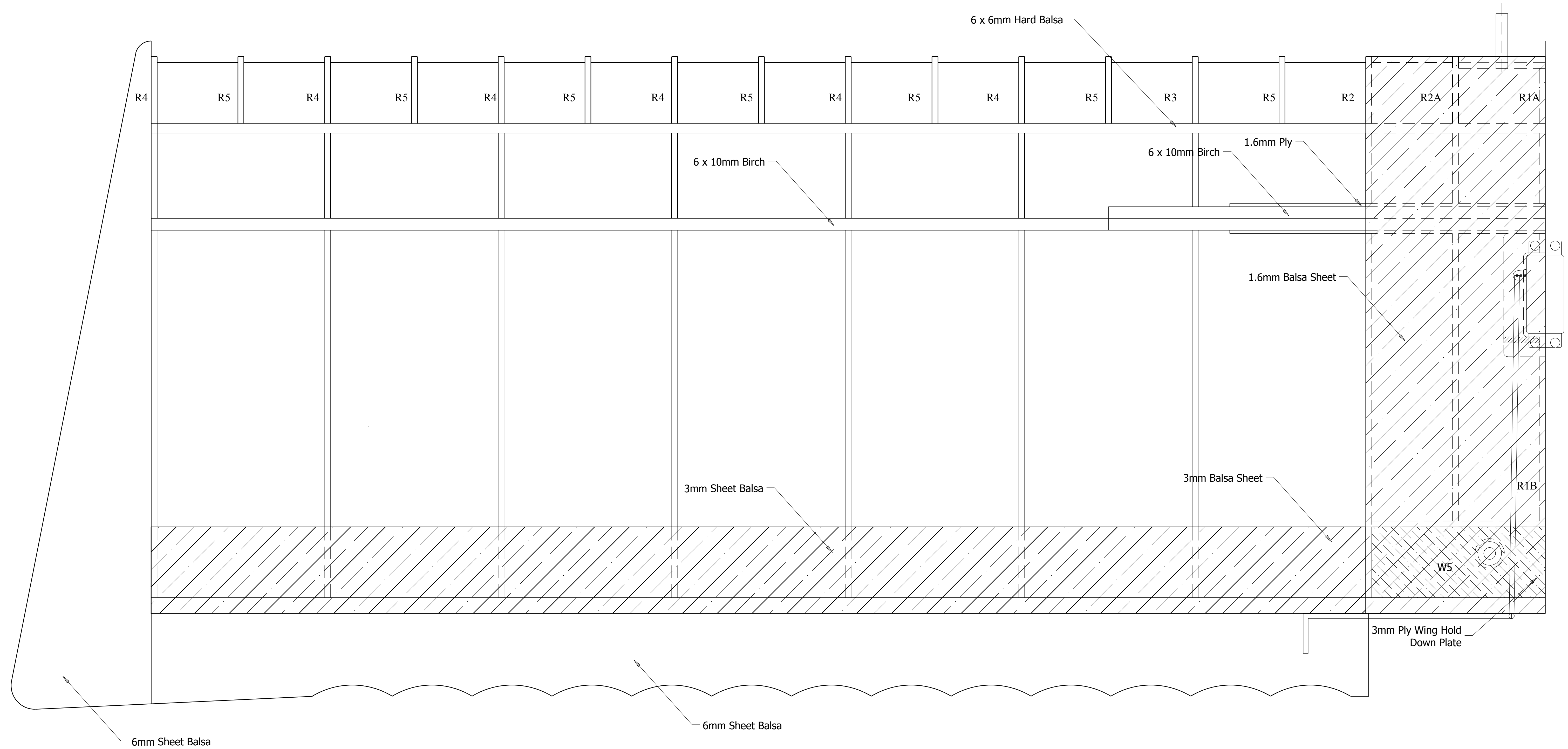
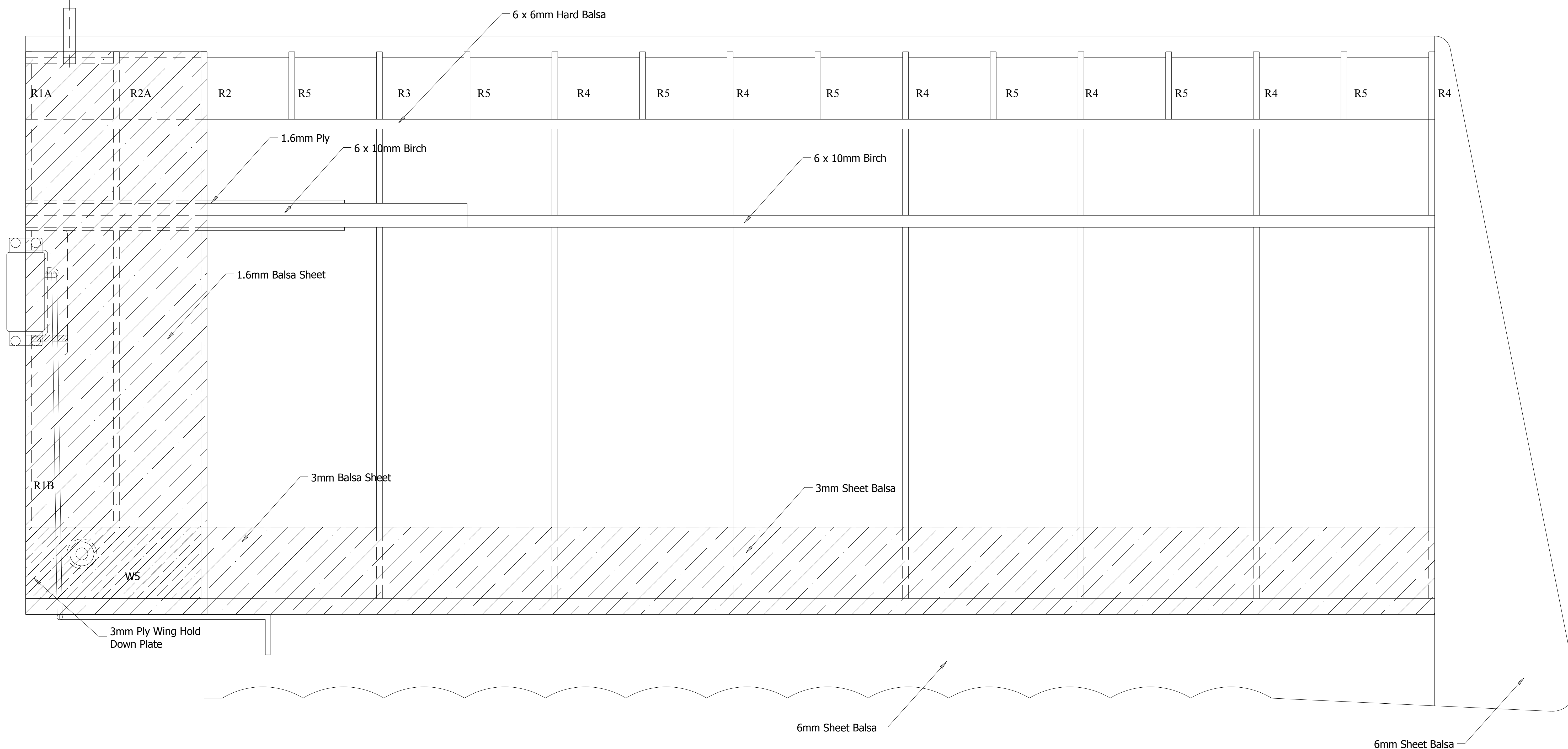


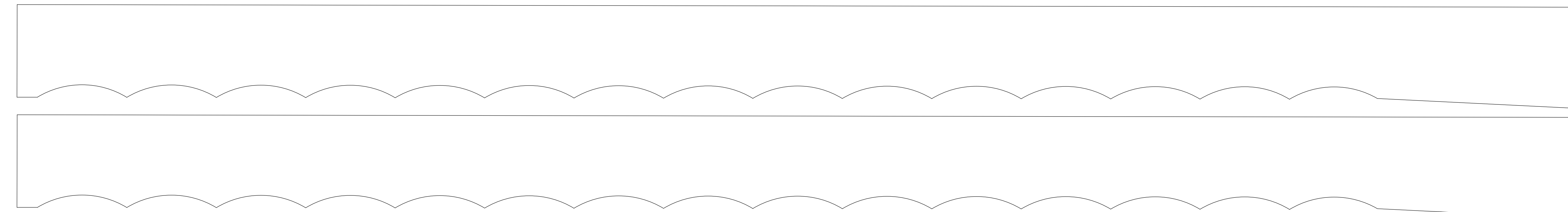
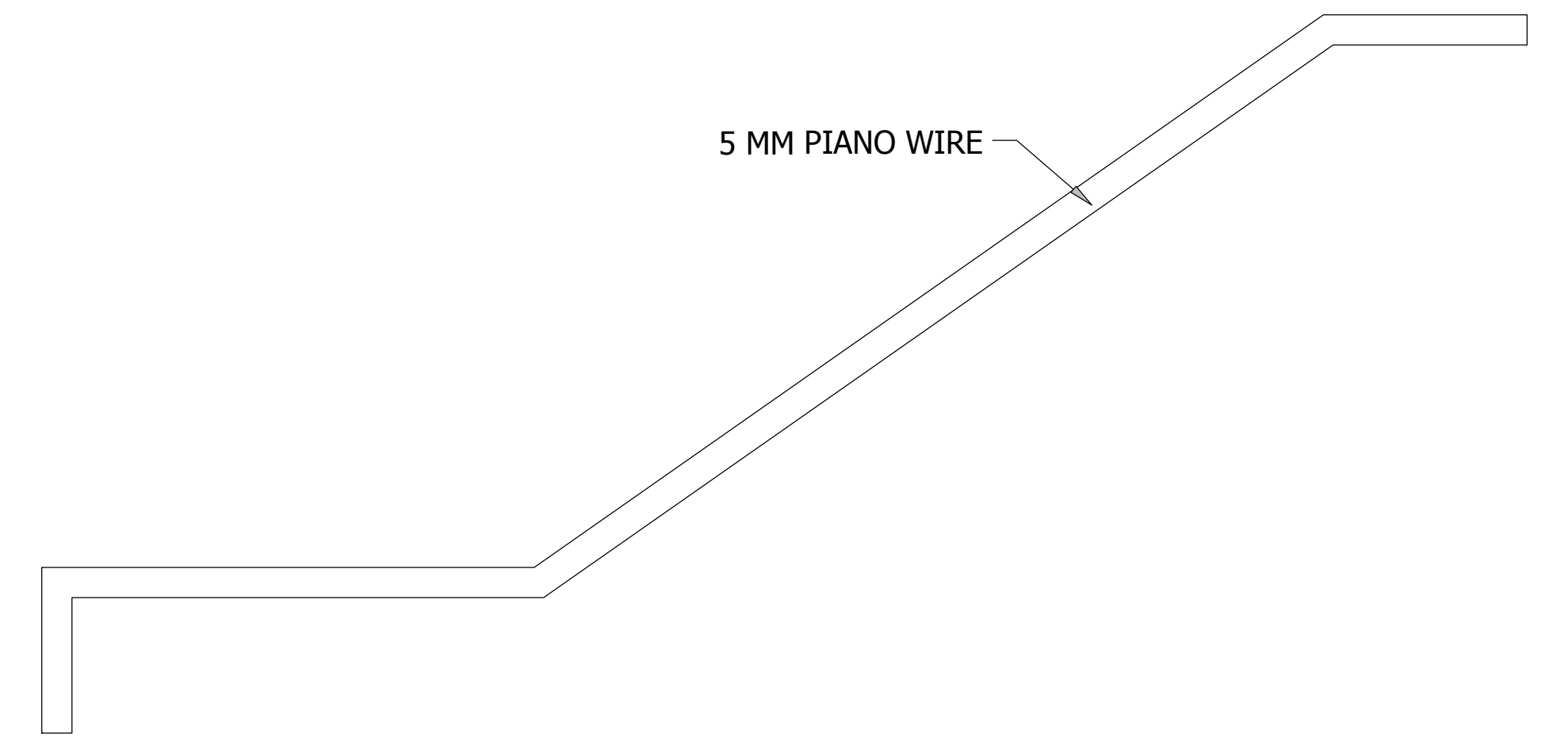
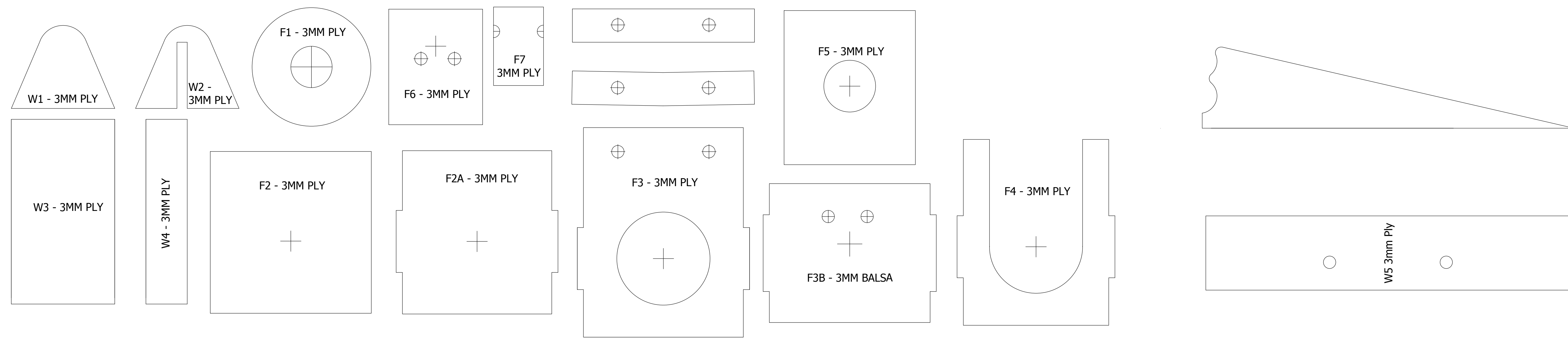
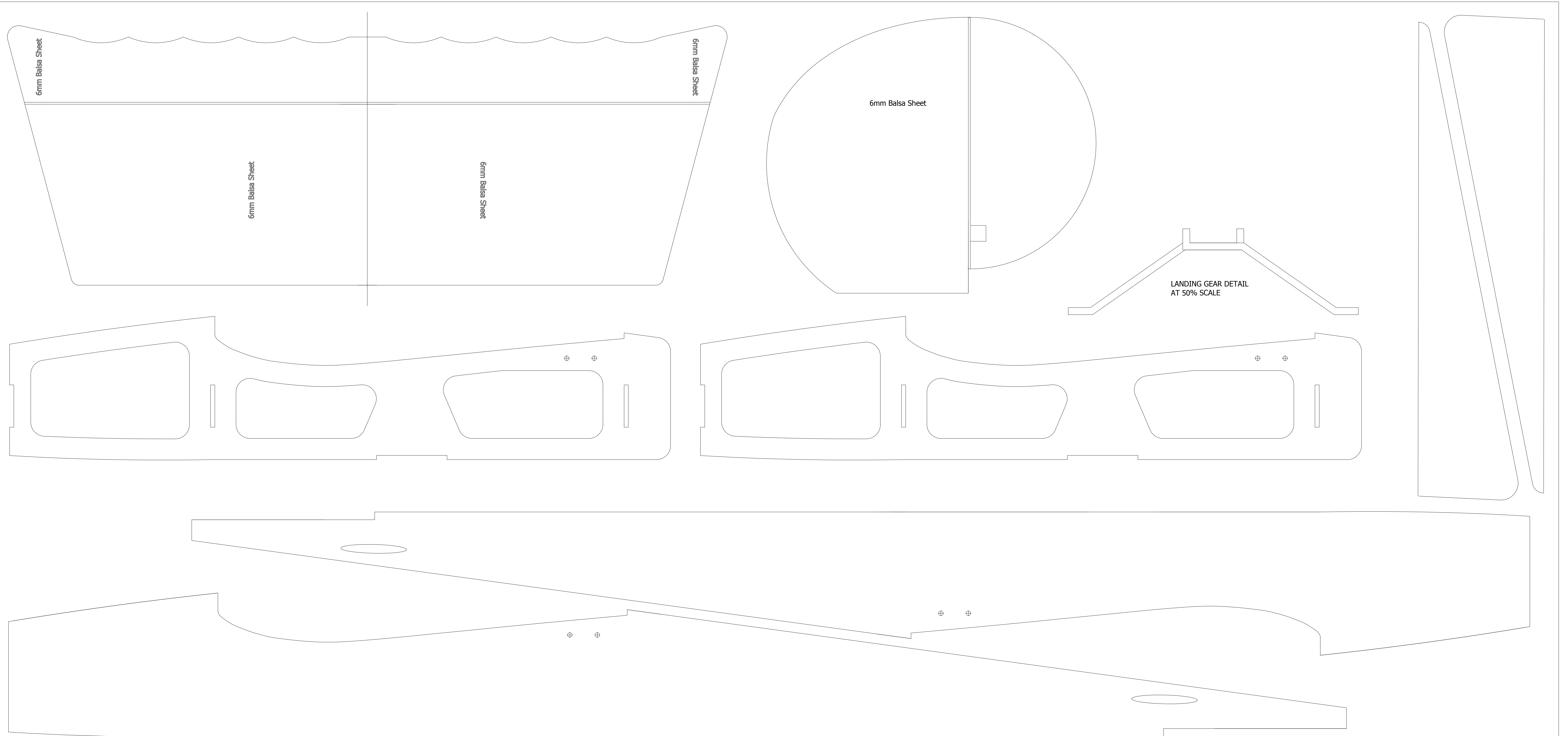
The Stunt Stik II		Engine Size.	40 cu in.
		Wing Span.	1250 mm
		Fuselage Length.	1115 mm
Designed By.	Craig Tarlington	Date	22/12/2003
Drawn By.	Craig Tarlington	Date	22/12/2003
Drawing No.	AFM-C-1004	Revision No.	0 - Sheet 1 of 4



The Stunt Stik II				Engine Size.	40 cu in.
				Wing Span.	1250 mm
				Fuselage Length.	1115 mm
Designed By.	Craig Tarlington	Date	22/12/2003	Drawing No.	AFM-C-1004
Drawn By.	Craig Tarlington	Date	22/12/2003	Revision No.	0 - Sheet 2 of 4



The Stunt Stik II		Engine Size.	40 cu in.
		Wing Span.	1250 mm
		Fuselage Length.	1115 mm
Designed By.	Craig Tarlington	Date	22/12/2003
Drawn By.	Craig Tarlington	Date	22/12/2003
		Drawing No.	AFM-C-1004
		Revision No.	0 - Sheet 3 of 4



The Stunt Stik II		Engine Size.	40 cu in.
		Wing Span.	1250 mm
		Fuselage Length.	1115 mm
Designed By.	Craig Tarlington	Date	22/12/2003
Drawn By.	Craig Tarlington	Date	22/12/2003
		Drawing No.	AFM-C-1004
		Revision No.	0 - Sheet 4 of 4