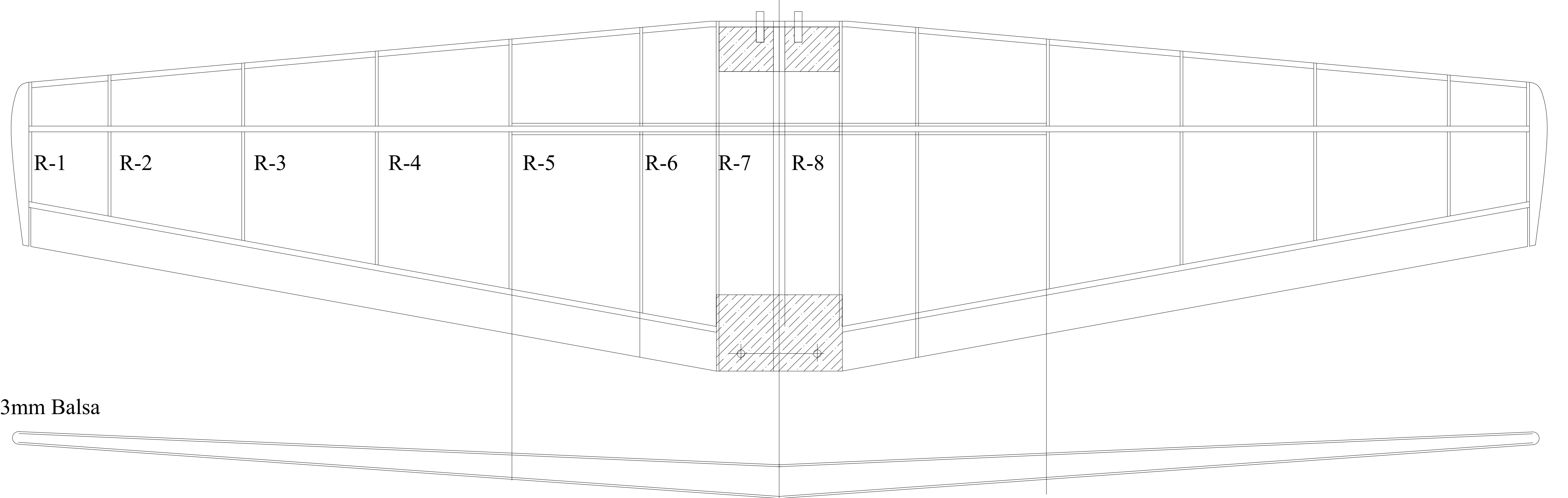
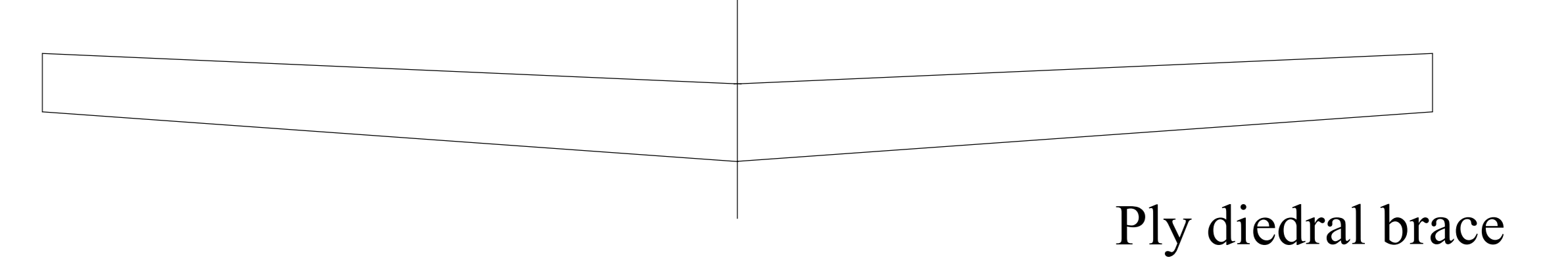
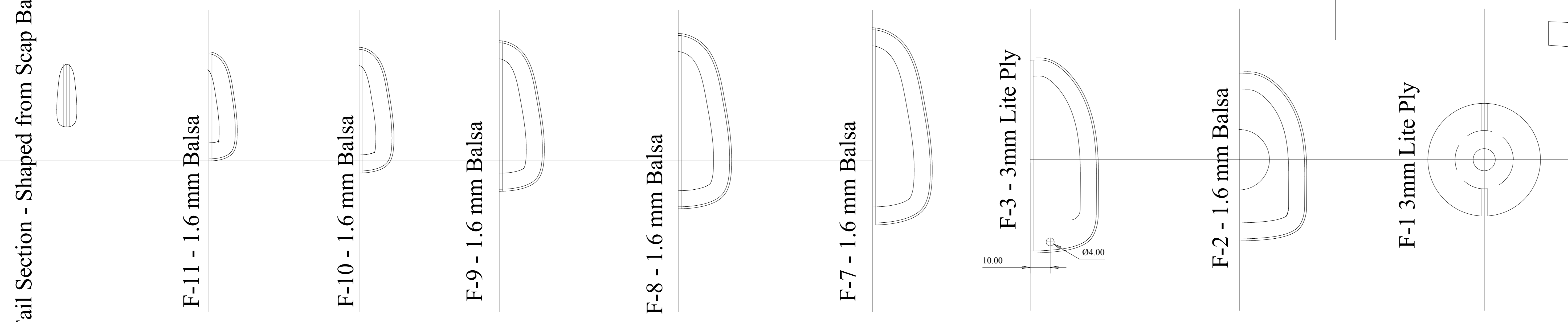


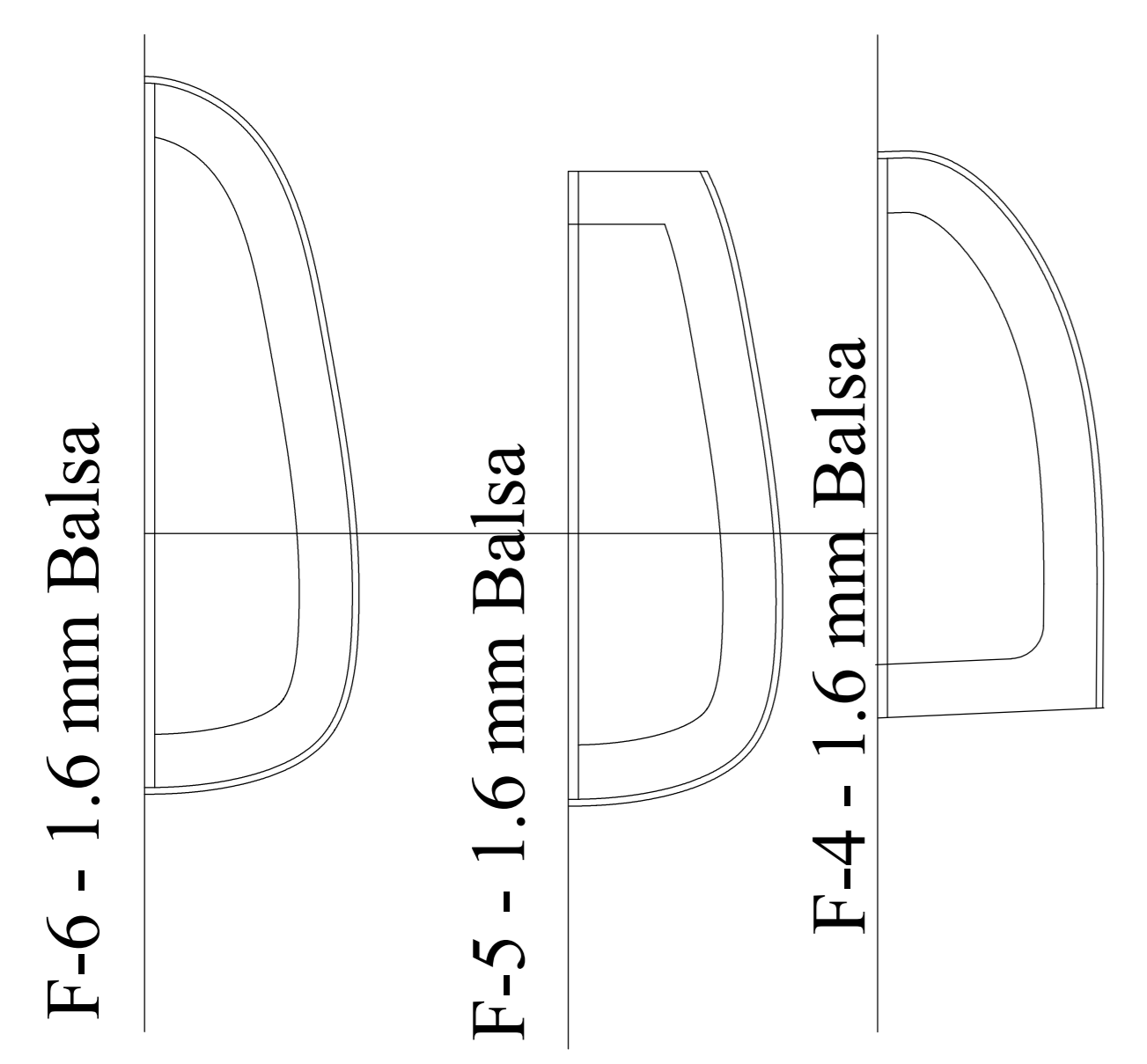
R1 - R-7 - 1.6 mm Balsa
R-8 - 3mm Balsa



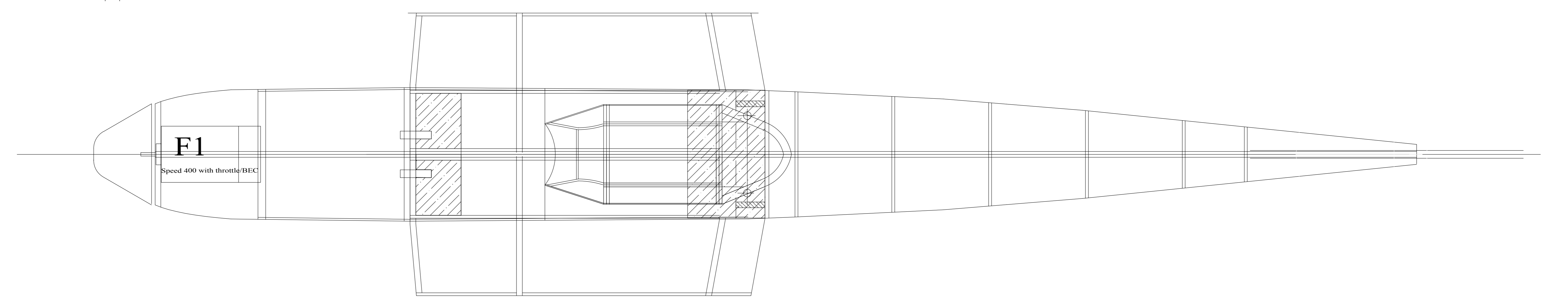
Tail Section - Shaped from Scap Balsa



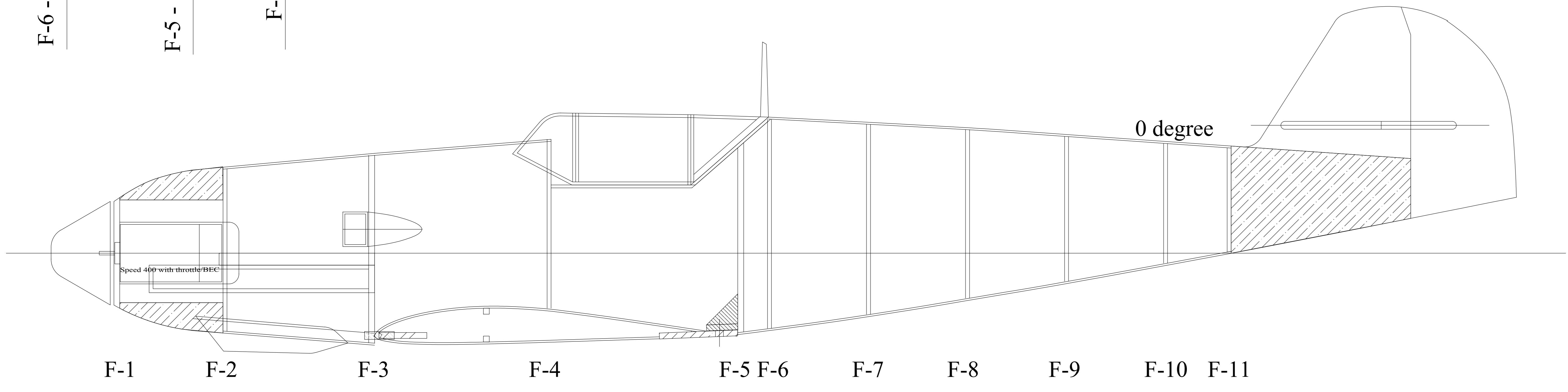
Ply diedral brace



F-6 - 1.6 mm Balsa
F-5 - 1.6 mm Balsa
F-4 - 1.6 mm Balsa



F1
Speed 400 with throttle/BEC



0 degree

F-1 F-2 F-3 F-4 F-5 F-6 F-7 F-8 F-9 F-10 F-11



BF109E7				Engine Size.	Speed 400
				Wing Span.	
				Fuselage Length.	
Designed By.	Craig Tarlington	Date	22/12/2003	Drawing No.	AFM-C-1006
Drawn By.	Craig Tarlington	Date	22/12/2003	Revision No.	0 - Sheet 1 of 2